

INNOVALITE SOLAR POWERED LIGHT # 9010



⚠ WARNING

- ◆ Risk of drowning by entanglement; secure the power cord with tie wrap supplied as per instructions.

TABLE OF CONTENTS

- A) Light installation on the step
- B) Deck installation
- C) Step combo Installation
- D) User guide
- E) Winterizing

⚠ CAUTION

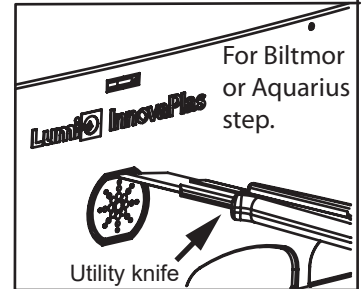
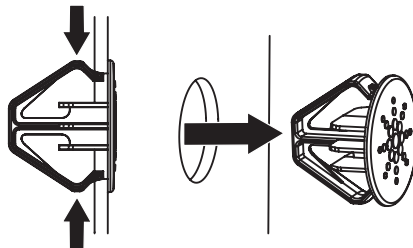
- ◆ The lighting fixture may be damaged if subjected to freezing weather.
- ◆ Remove the entire step assembly from the pool and allow all water to drain from the step and dry before storing.
- ◆ Store in a dry location unexposed to winter conditions.
- ◆ Do not submerge the solar panel the product could be damaged.

TOOLS REQUIRED (Not Included)

*For Biltmor and Aquarius only.

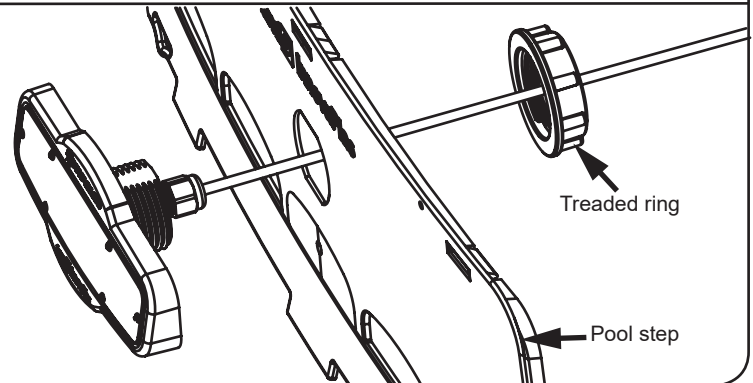


A LIGHT INSTALLATION ON THE STEP

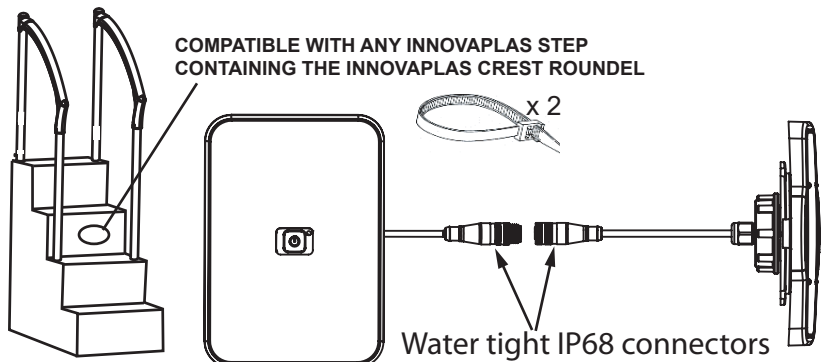


- 1) Remove the Innovaplas round cap from the step by compressing 2 tabs at the back. For the Biltmor or Aquarius step cut the 4 tabs with a utility knife to remove the blank cap.
- 2) Insert the lighting fixture from the outside of the step.
- 3) Fasten the treaded ring and align the fixture properly in the step before tightening. Tighten the ring moderately.

IMPORTANT: Use supplied tie wraps to attach electric cord to a post as shown. Do not submerge the connector the product could be damaged.



REQUIRED FOR SKU # 9010

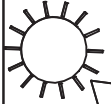


LIMITED WARRANTY

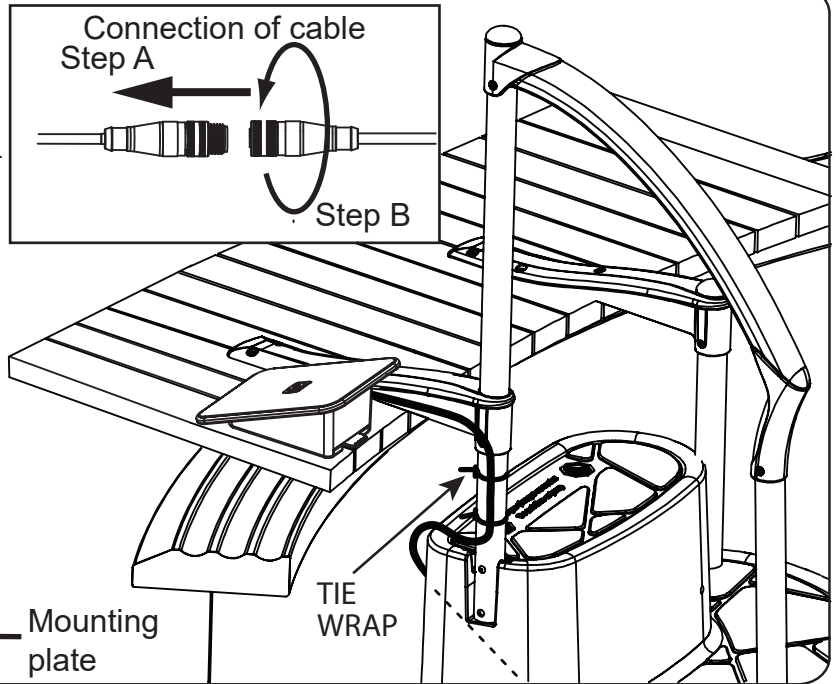
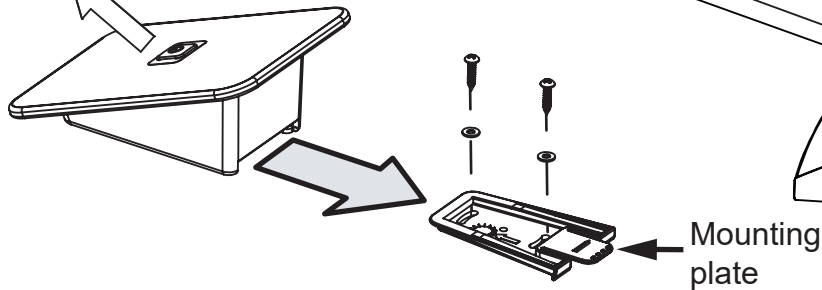
90 days on manufacturing defects.
Replacement only.

B DECK INSTALLATION*

- 1) Identify the best location to install the solar panel. The panel should be pointing toward the sun at noon. Avoid major obstacles between the sun and the panel. The panel should be exposed to a light source for a minimum duration of 6 hours to perform.
- 2) Install the mounting plate with the screws and flat washers supplied. A pictogram engraved on the mounting plate will help you orient the panel correctly.



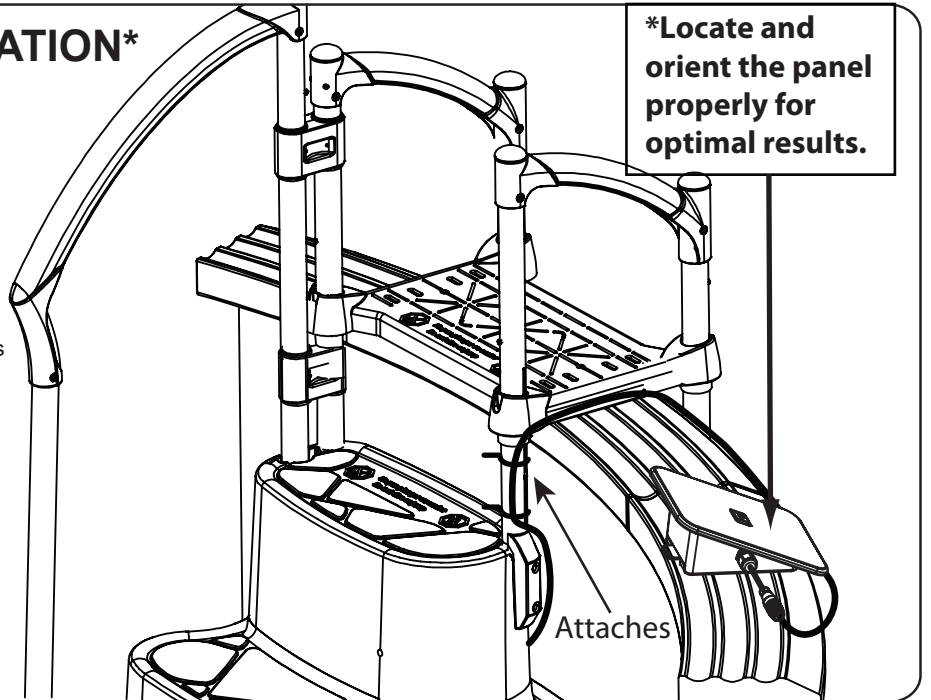
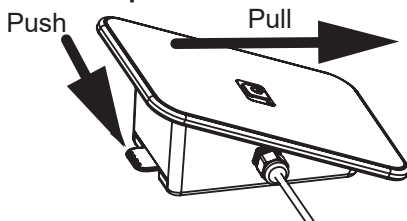
- 3) Slide the panel housing into the mounting plate, making sure that the panel is secured by the locking tab.



C STEP COMBO INSTALLATION*

- 1) Install the battery as per above instructions, making sure that the panel is pointing toward the sun at noon.
- 2) Connect the panel to the light fixture according to the drawing above, screw the connector sleeve completely to seal the connector properly.
- 3) Secure the electrical cord to the tubular post with the two tie wraps provided. Make sure that the cable is routed away from the bathers. Keep the connectors out of water.

To take apart



D User guide

Press on the switch for 4 seconds to turn on or off the light fixture.
A built in countdown timer will turn off the light after 2 hours.
The light will last for 3 hours on a fully charged solar panel.
The light fixture is not designed to turn itself on at sundown.

E WINTERIZING

- 1) Disconnect the solar panel.
- 2) Unlock the solar panel from the mounting plate and slide the panel out as shown.
- 3) Pull the step and light out of the water for storage.



InnovaPlas



REV. 15/04/2019

INNOVAPLAS

2257, Route 139
Drummondville, Qc.,
Canada J2A 2G2
WWW.INNOVAPLAS.COM