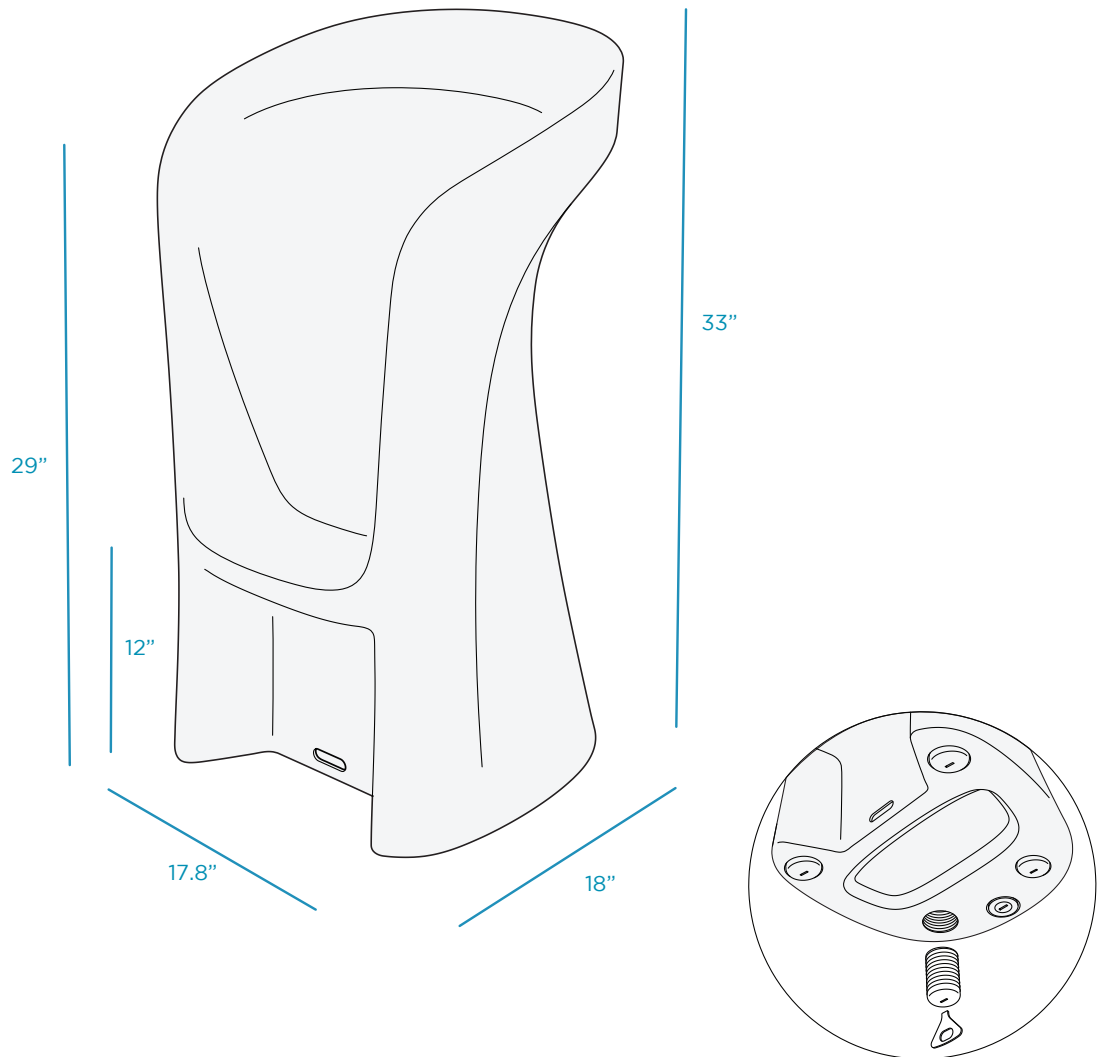


SIGNATURE BARSTOOL SPECIFICATIONS

DESIGNED FOR IN-POOL OR ON-DECK
WT (EMPTY) 40 LBS | WT (W/ WEIGHTED FEET) 48 LBS



FEATURES

- Designed for in-pool at all depths or on-deck
- Self-filling and sinking system makes installation easy
- 2-year warranty for residential or commercial settings
- Built to withstand sun, weather, and chemicals of any pool or outdoor environment
- Compatible with all pool types, including vinyl
- Crafted of a high-quality, UV16 rated resin, color stabilized for up to 16,000 hours of direct sunlight
- Adjustable feet for leveling on sloped surfaces

AVAILABLE COLORS



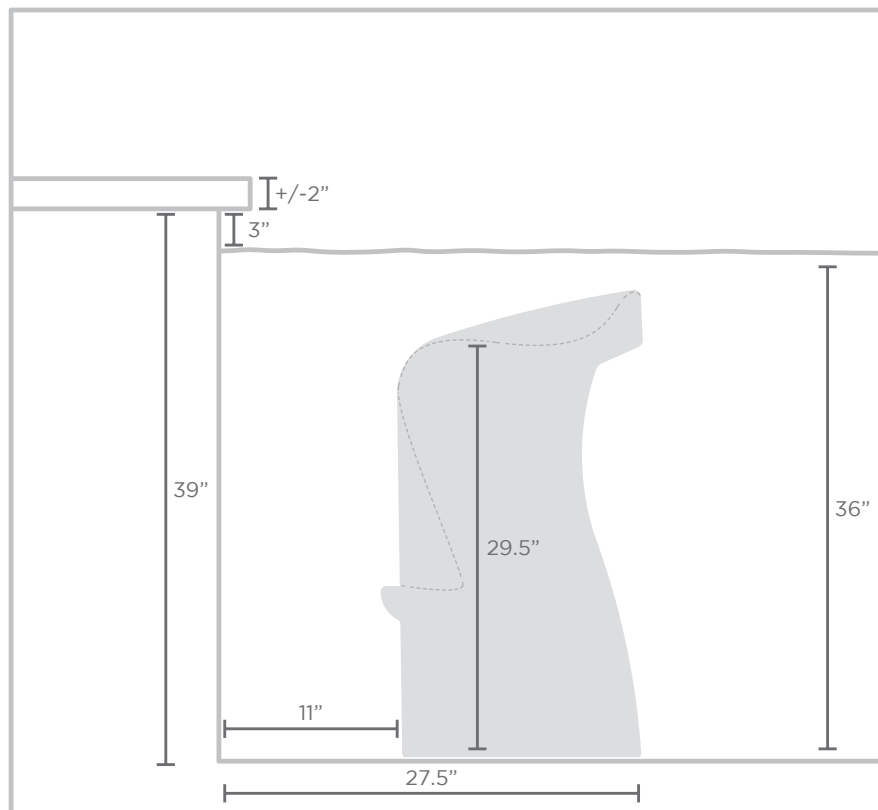
SIGNATURE BARSTOOL

LAYOUT SUGGESTIONS

DESIGNED FOR IN-POOL OR ON-DECK

WT (EMPTY) 40 LBS | WT (W/ WEIGHTED FEET) 48 LBS

The Signature Barstool works in any water depth, and can be repositioned as often as desired.
The guidelines are suggested when using your pool's ledge or coping with the Barstool.



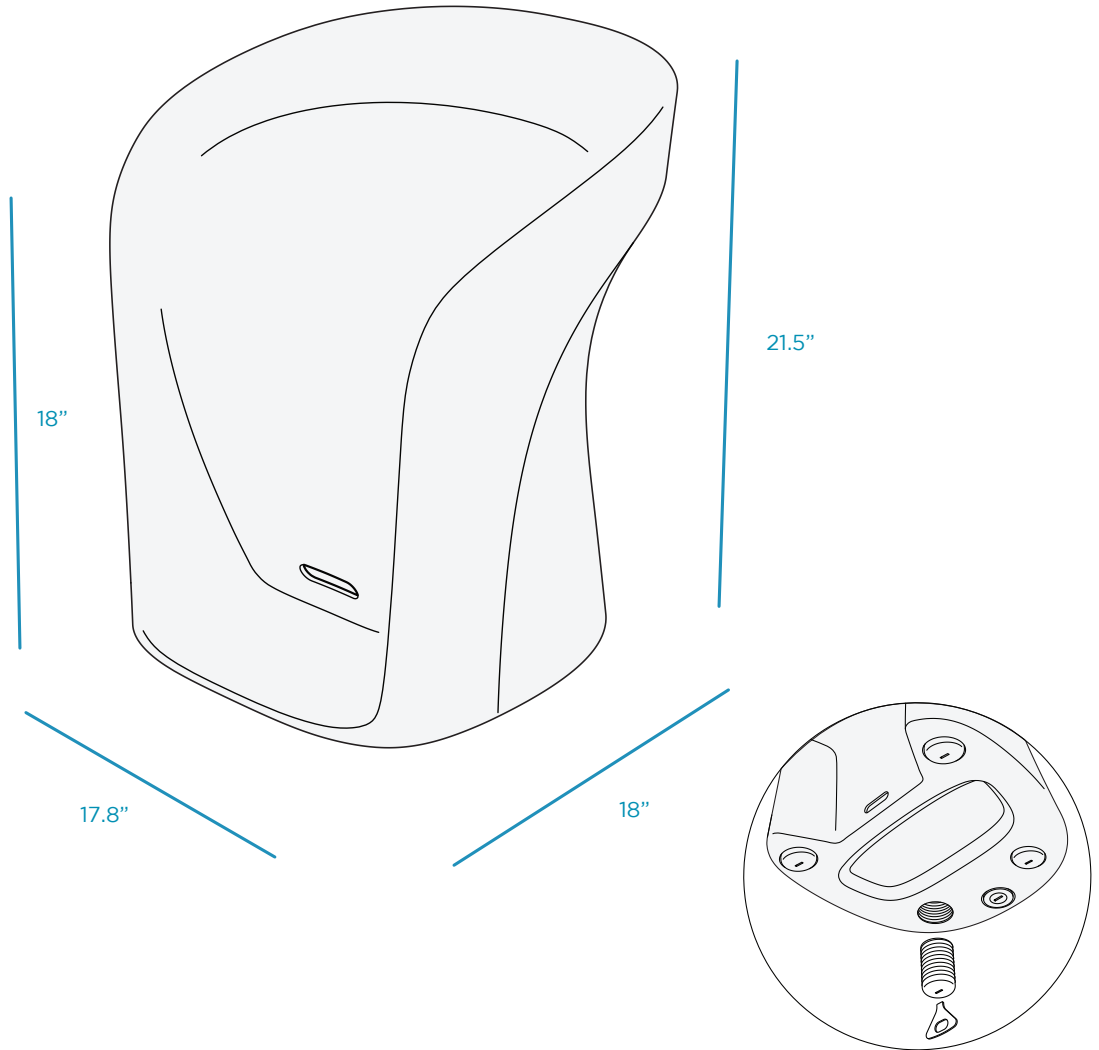
BARSTOOL FULLY SUBMERGED

SIGNATURE

BARSTOOL COUNTER HEIGHT

SPECIFICATIONS

DESIGNED FOR IN-POOL OR ON-DECK
WT (EMPTY) 13 LBS | WT (W/ WEIGHTED FEET) 21 LBS



FEATURES

- Designed for in-pool at all depths or on-deck
- Self-filling and sinking system makes installation easy
- 2-year warranty for residential or commercial settings
- Built to withstand sun, weather, and chemicals of any pool or outdoor environment
- Compatible with all pool types, including vinyl
- Crafted of a high-quality, UV16 rated resin, color stabilized for up to 16,000 hours of direct sunlight
- Adjustable feet for leveling on sloped surfaces

AVAILABLE COLORS



SIGNATURE

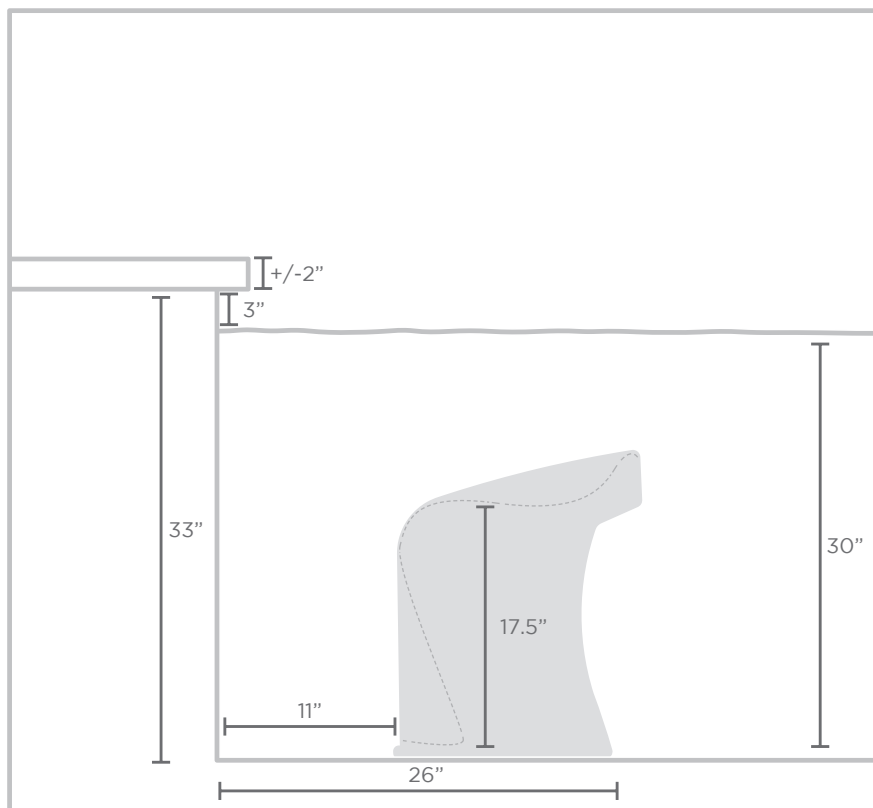
BARSTOOL COUNTER HEIGHT

LAYOUT SUGGESTIONS

DESIGNED FOR IN-POOL OR ON-DECK

WT (EMPTY) 13 LBS | WT (W/ WEIGHTED FEET) 21 LBS

The Signature Barstool works in any water depth, and can be repositioned as often as desired. The guidelines are suggested when using your pool's ledge or coping with the Barstool.



BARSTOOL COUNTER HEIGHT FULLY SUBMERGED