

# HARBOR VIEW CHAIR


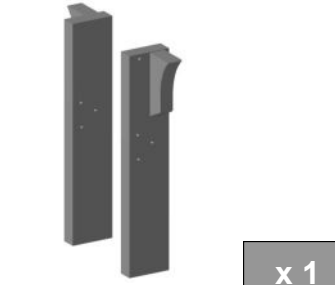
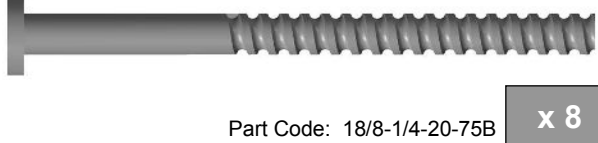

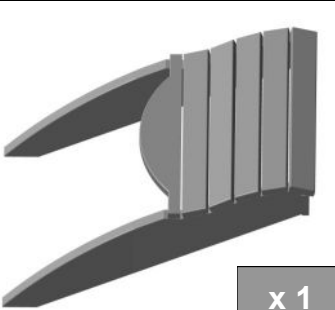
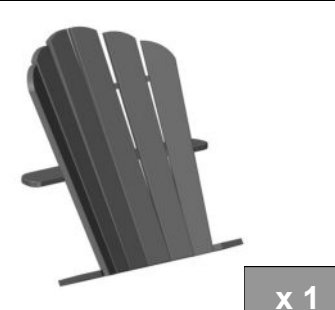


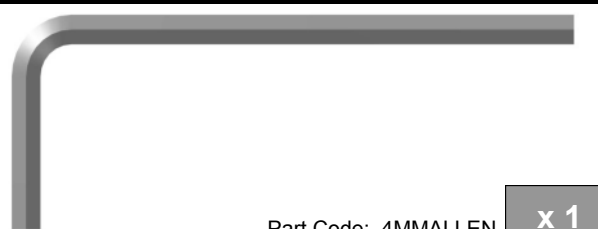



301

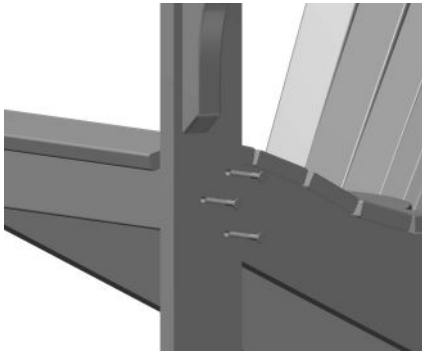
COASTLINE CASUAL  
11 Industrial Drive  
Coventry, Rhode Island 02816



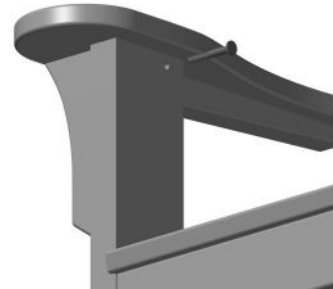
## ASSEMBLY INSTRUCTIONS

**1** PLEASE READ INSTRUCTIONS COMPLETELY BEFORE BEGINNING. Carefully remove contents from box. Make sure that all parts and hardware are included using the Parts List below.

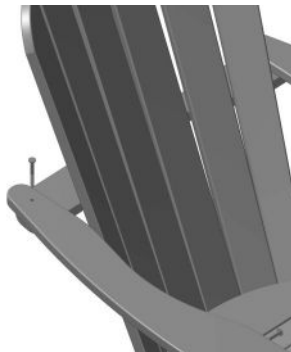
<b>Right &amp; Left Arm Set</b>  x 1	<b>Right &amp; Left Leg Set</b>  x 1	<b>75mm Connector Bolt (Actual Size)</b>  Part Code: 18/8-1/4-20-75B x 8	<b>1/4 Lock Washer (Actual Size)</b>  Part Code: 18/8-1/4LW x 8	
<b>Seat Assembly</b>  x 1	<b>Back Assembly</b>  x 1	<b>60mm Connector Bolt (Actual Size)</b>  Part Code: 18/8-1/4-20-60B x 2	<b>1/4 Flat Washer (Actual Size)</b>  Part Code: 18/8-1/4FW x 10	
		<b>4mm Allen Wrench (Actual Size)</b>  Part Code: 4MMALLEN x 1	<b>1/4 Nut (Actual Size)</b>  Part Code: 18/8-1/4-20N x 8	<b>Lock Nut (Actual Size)</b>  Part Code: 18/8-1/4-20LN x 2
			<b>1-3/4 Phillips Head Screw (Actual Size)</b>  Part Code: 18/8-8x1-3/4PFDS x 4	

**2****ATTACH LEGS TO SEAT ASSEMBLY**

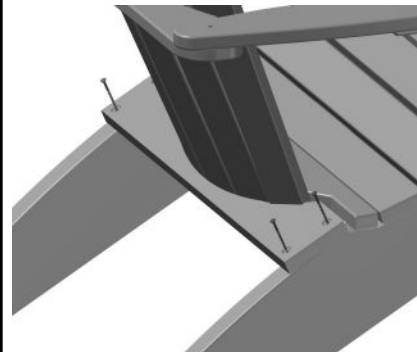
Place Seat Assembly on it's side, using a flat clean surface. Place Leg with mounted support over seat assembly, while making sure the mounted support is facing outward. Insert (3) 75mm connector bolts through the pre-drilled holes in the Front Leg and align this with the pre-drilled holes in the seat assembly. Finger tighten flat washer, lock washer, and attach nut on each bolt. Do not fully tighten at this time. Flip the assembly over and repeat process for opposite Leg.

**3****ATTACH ARMS TO TOP OF LEGS**

Arms should be installed with curve cutout on the inside of the chair. Place Arm on top of Front Leg. Align pre-drilled hole in the Underarm support with the pre-drilled hole located at the top of the Front Leg. Install a 75mm connector bolt, starting from the Front Leg through the Underarm. Finger tighten flat washer, lock washer and nut. Do not fully tighten at this time. Repeat process for opposite Arm.

**4****ATTACH ARMS TO BACK ASSEMBLY**

Place Upper Yoke of the Back Assembly underneath arms, aligning pre-drilled holes. Install (1) 60mm connector bolt through pre-drilled hole of the Arm and through Upper Yoke. Finger tighten flat washer and lock nut (18/8-1/4-20LN). Do not fully tighten at this time. Repeat process for opposite Arm.

**5****ATTACH BACK ASSEMBLY TO SEAT ASSEMBLY****ASSEMBLY** Phillips Head Screw Driver Required (Not Included)

Place Back Assembly on top of mounting surface of Rear Legs (Part of Seat Assembly). Push Back Assembly forward until it meets the last Seat Slat of the Seat Assembly. Hold Back Assembly in place and install (4) 1-3/4" Phillips Head Screws into pre-drilled holes on each side of the Lower Yoke (No pre-drilled holes on Rear Legs).

**6****TIGHTEN ALL CONNECTIONS AVOIDING OVER TIGHTENING; DOING SO CAN CAUSE DAMAGE TO THE PRODUCT** 7/16 Wrench or Socket Required (Not Included) and 4mm Allen Wrench Required (Included)