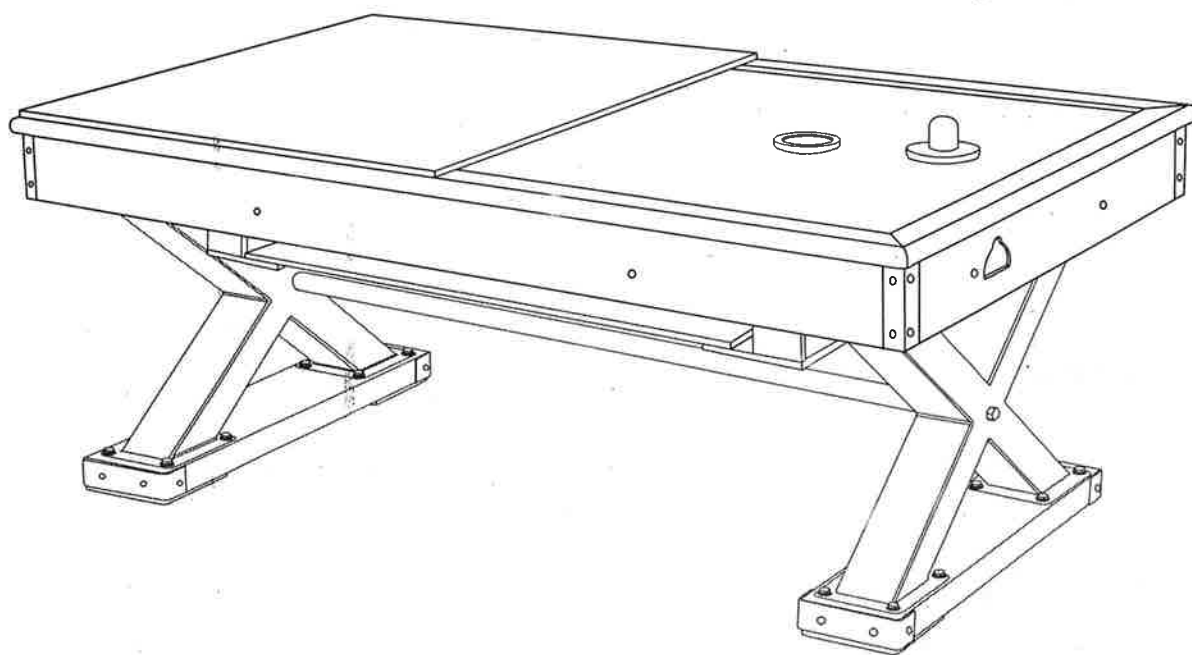


ASSEMBLY INSTRUCTION MANUAL



PREMIER AIR HOCKEY TABLE



ITEM NO. 51-906367-001
REV. 1 DATE: 7/16/2018

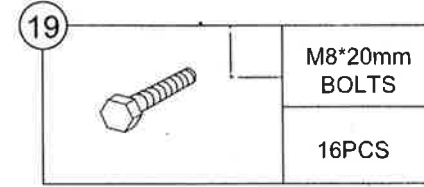
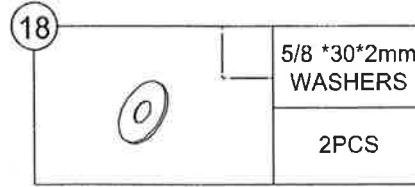
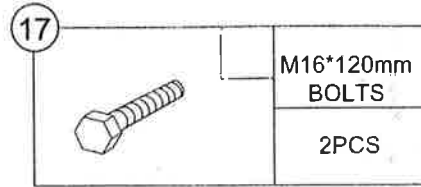
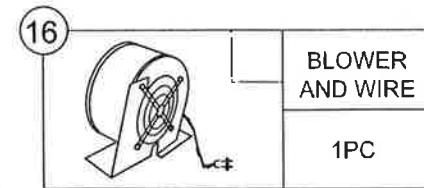
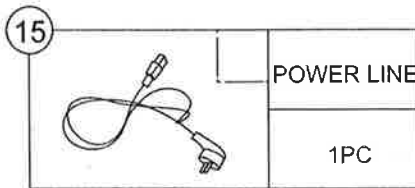
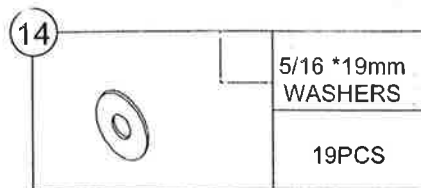
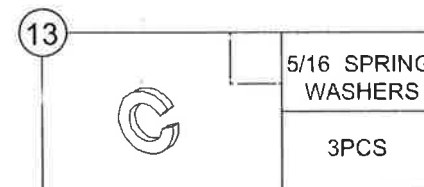
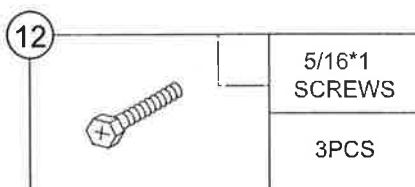
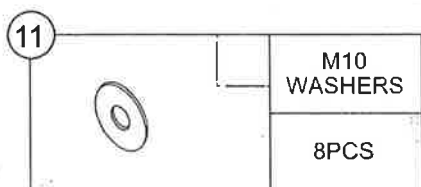
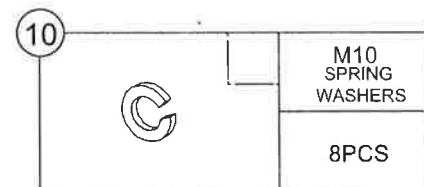
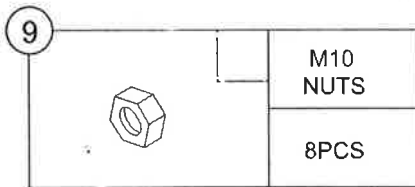
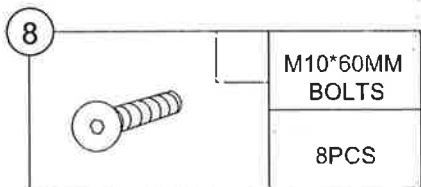
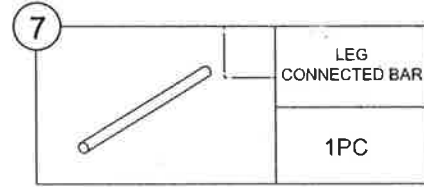
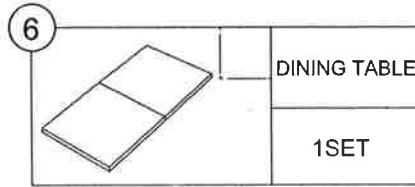
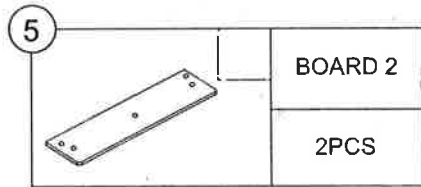
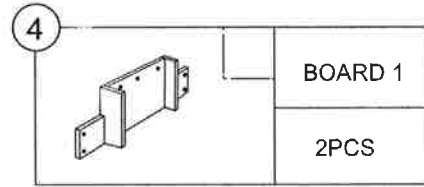
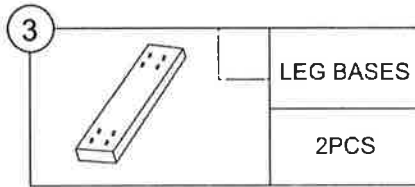
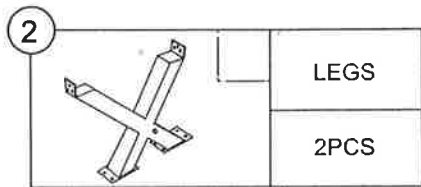
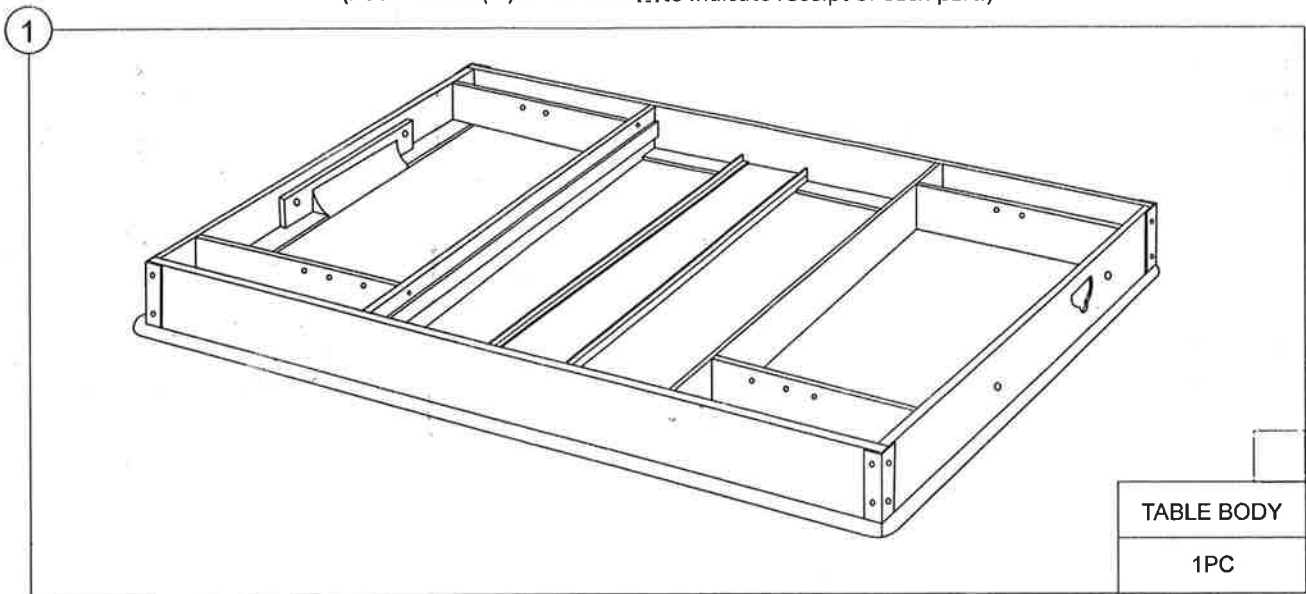
Congratulations! We hope that you receive many years of safe family fun with your new Air Hockey Table!








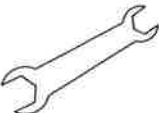
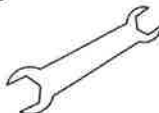


**** Please carefully read all safety and installation instructions prior to proceeding with the table assembly ****

- 1) Your table is designed for use in a climate controlled indoor environment only. Damage can occur if the table is exposed to water, dampness, high humidity, freezing temperatures, etc.
- 2) Due to the weight of the table, it is recommended that two or more adults assist with the table assembly.
- 3) The table should be used for its intended purpose only.
- 4) Damaged or worn parts may be dangerous for game users and can compromise the integrity of the table. The table should not be used until damaged or worn components are replaced with comparable spare parts.
- 5) Unauthorized repairs or altering the tables design/functions may be dangerous and will void your factory warranty.
- 6) Periodically check all screws, bolts, etc. to ensure that they are in good working order and have not loosened over time.
- 7) Please keep all the small parts out of the reach of young children and pets.
- 8) This is not a child s toy. Adult supervision is required for children playing this game. Please read instructions carefully. Proper use of this set can avoid damage or injury.

PARTS LIST

(Add a Check (✓) to the box to indicate receipt of each part.)

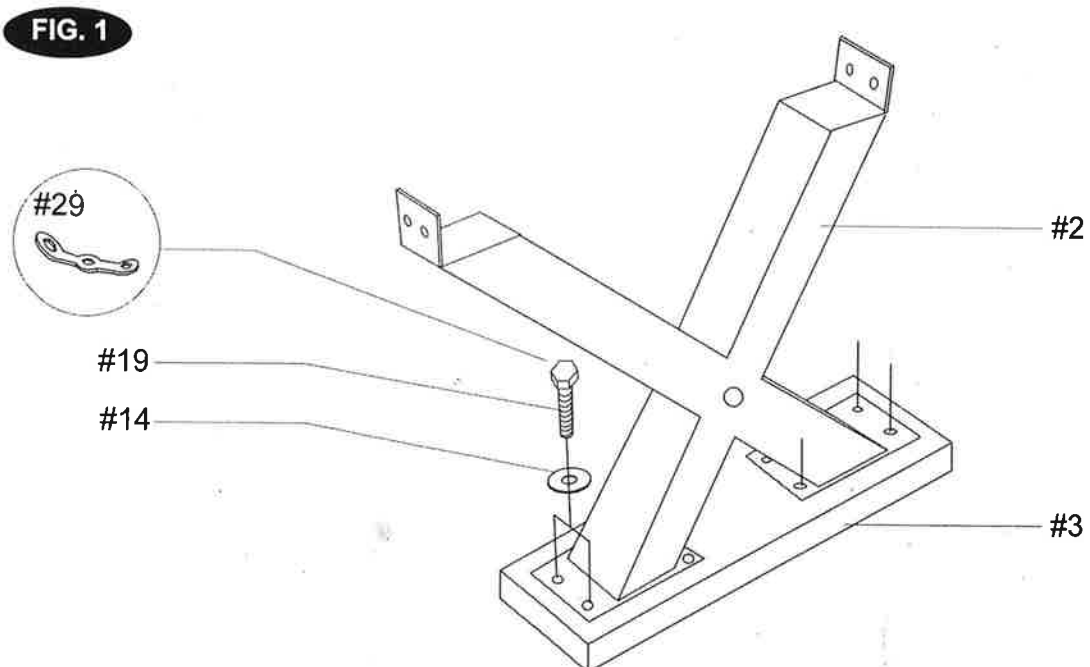


20		1/4 X2 BOLTS	18PCS
21		1/4 NUTS	18PCS
22		1/4 x16mm WASHERS	18PCS
23		PUSHERS	2PCS
24		RED PUCKS	2PCS
25		BLACK PUCKS	2PCS
26		ALLEN KEY	6mm-1PC
27		WRENCH	17-13mm 1PC
28		WRENCH	24-22mm 1PC
29		WRENCH	1PC
30		ALLEN KEYS	5mm-2PCS

ASSEMBLY INSTRUCTIONS

We recommend that four adults work together to assemble this table.

> Start assembly with the table face down. We recommend placing the table on the soft packaging to protect the table surface. After assembling the legs, the table will be flipped over to complete the assembly. Do not use the legs for leverage when rotating the table from the face down to the face up position.



STEP 1: LEG ASSEMBLY

> Attach the Leg(#2) to the Base(#3) with the Bolts(#19) and Washer(#14). Use Wrench(#29) provided. See Fig. 1.

FIG. 2

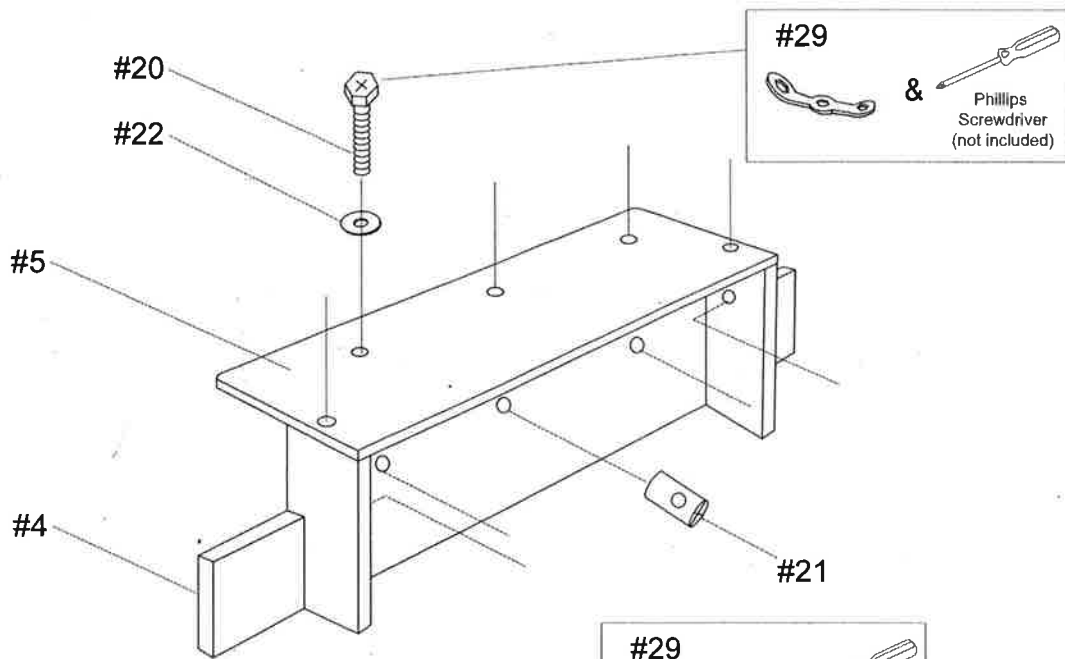
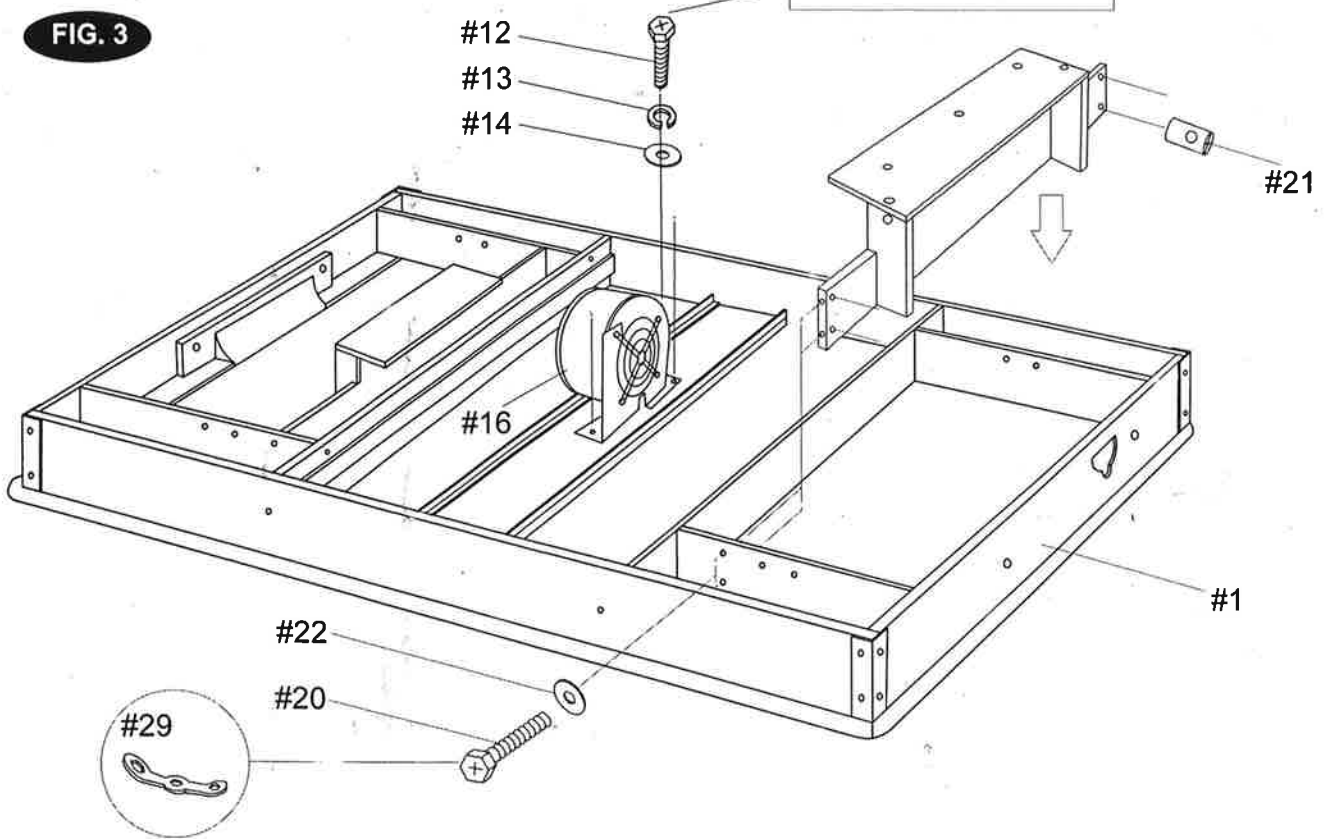


FIG. 3



STEP 2: TABLE HOLDER ASSEMBLY

> Assemble the Board 2 (#5) to Board 1 (#4) with Bolts(#20), Washers(#22) and Horizontal Hole Nuts (#21). Use Wrench(#29) and Phillips Screwdriver(not included). See Fig. 2.

STEP 3: BLOWER ASSEMBLY

> Insert Blower(#16) into the Main Cabinet(#1) as shown in Fig. 3. Attach to the Cabinet using three Bolts(#12), Spring Washers(#13) and Washers(#14). Use Wrench(#29) and Phillips Screwdriver(not included). See Fig. 3.

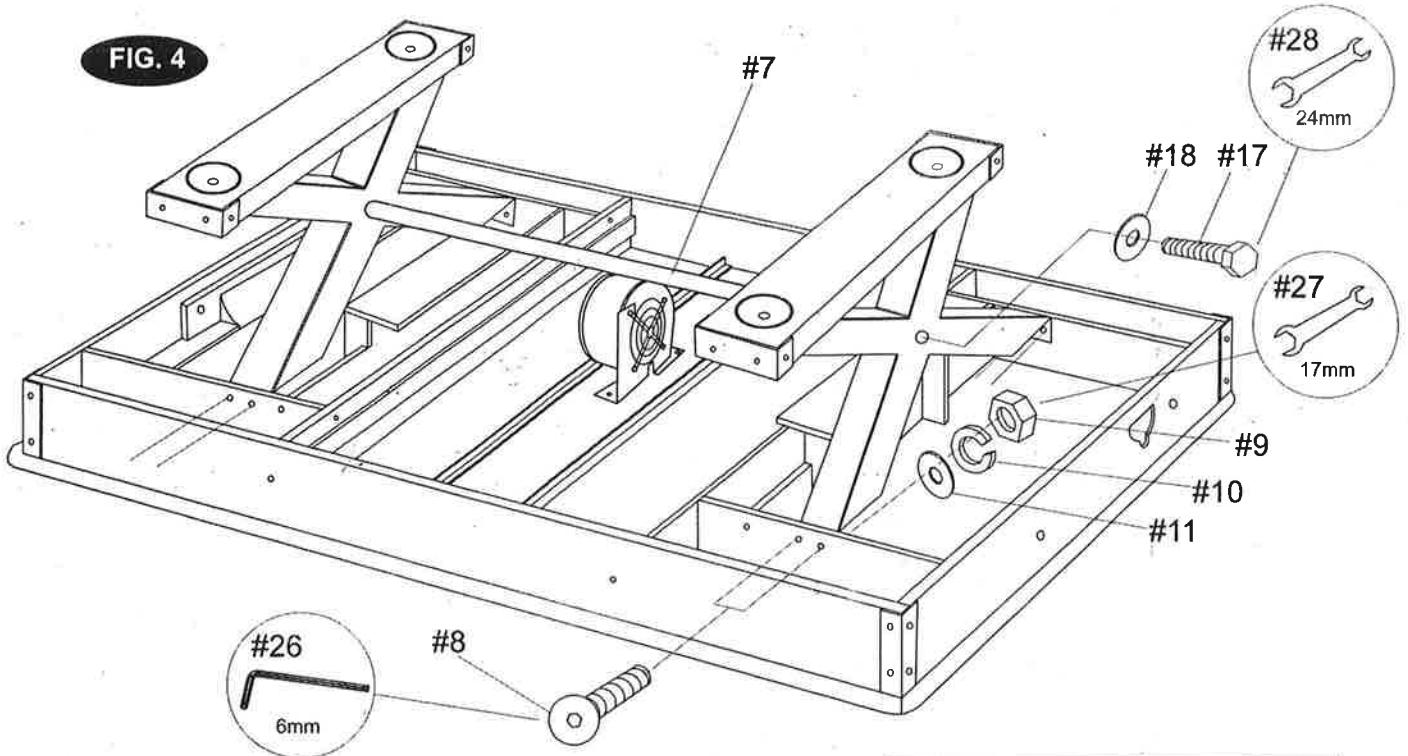
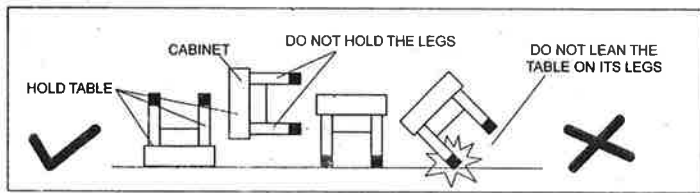
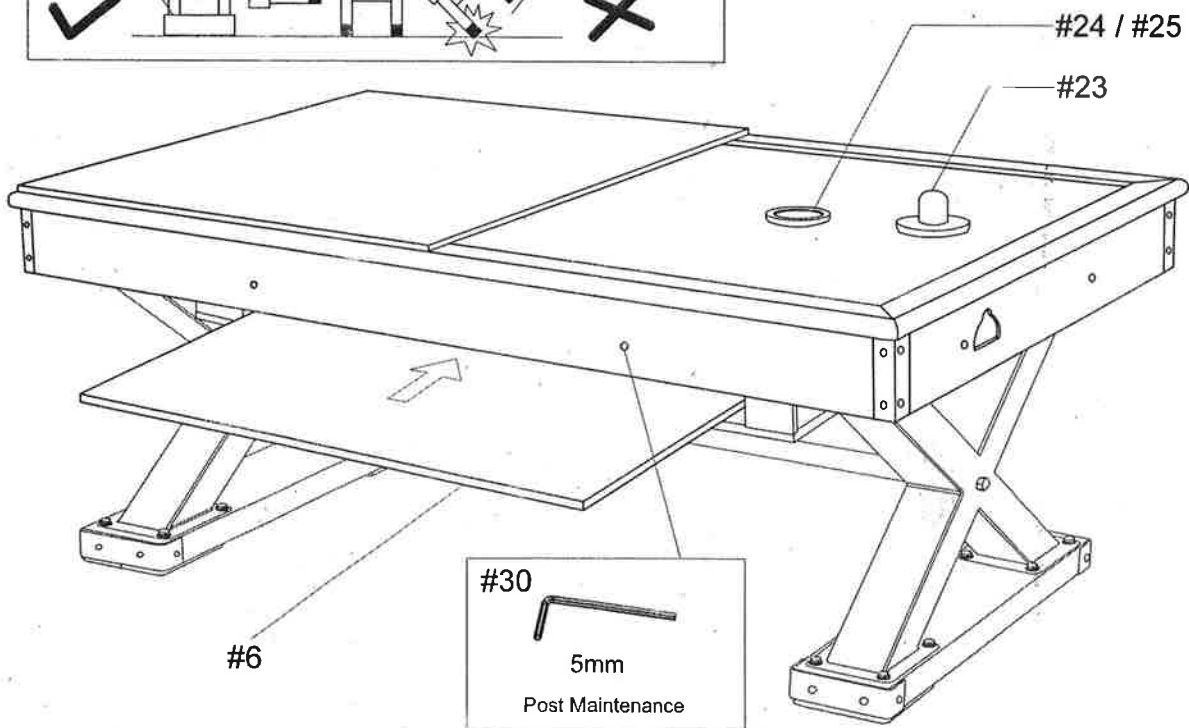


FIG. 5



CAUTION: Four adults are recommended to turn the table over as shown.

1. Lift the table off the ground.
2. Turn the table over.
3. Place it on all feet at the same time on the ground.



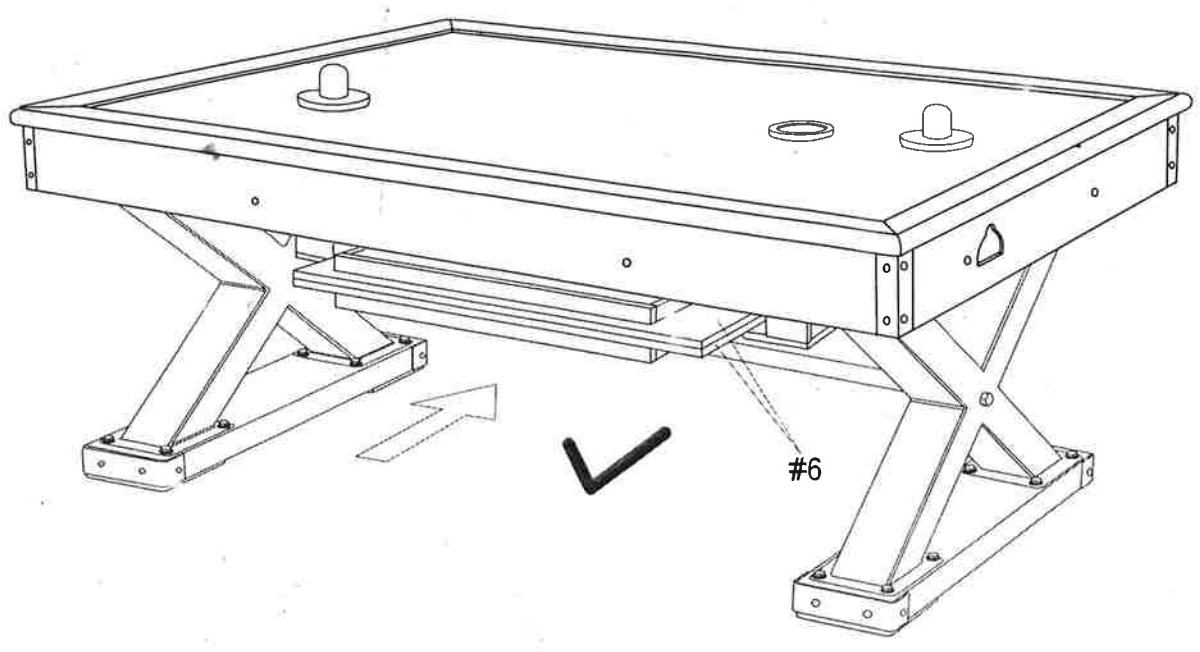
STEP 4: LEG ASSEMBLY

> Attach the Legs(#2) between the interior frames with the Bolts(#8), Washers(#11), Spring Washers(#10), and Nuts(#9) per leg as shown in Fig. 4. Use the Allen Key(#26) and 17mm Wrench(#27) provided.

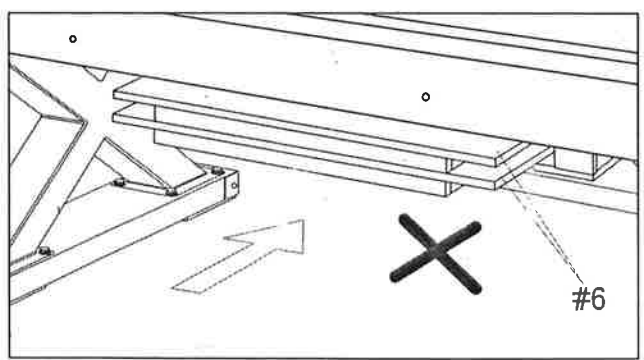
STEP 5: FLIP TABLE

> Once the legs are securely fastened, let four adults to rotate the table into an upright position to complete the assembly. Please note the 5mm Allen Keys(#30) are only used for later maintenance.

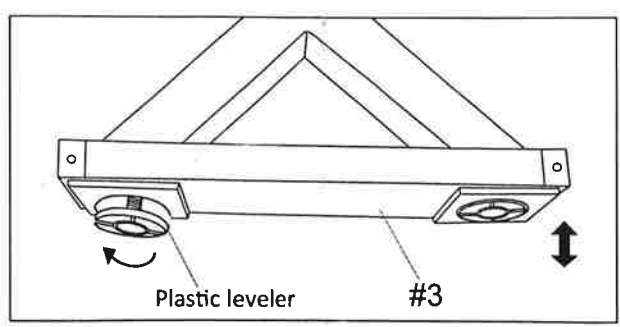
FIG. 6



STEP 6: DINING TABLE PLACEMENT & ADJUSTABLE PLASTIC LEVELER



> The Dining Tables should be placed face to face, this will reduce surface scraping as much as possible.



> Anti-skidding, crush resistance, easily adjust plastic leveler.

TABLE MAINTENANCE	
TABLE SURFACE	Wipe playing surface with a clean cloth before and after each use. While table is on, vacuum gently with a soft brush attachment on a vacuum cleaner.
PUCKS	In the event the puck becomes rough or scuffed, use a sheet of extra fine sand paper to lightly rub until the puck is smooth.
FASTER PLAY	For faster play, wipe down the playing surface with a spray wax and cloth. (NOTE: Do not spray the wax directly on the table. Spray it on a cloth first.)
BOLTS	Please make sure that all the bolts are tightened before using.

HOCKEY GAME RULES:

- 1) This game is designed to be played with two (2) players, one at each end.
- 2) Flip a coin to determine who will begin play, or a face-off can be held at the center of the table.
- 3) Play begins when the puck is placed on the playing surface. Players must hit the puck with the hand-held pushers and attempt to shoot into the opponent's goal.
- 4) One point is awarded when a puck is shot into the opponent's goal.
- 5) Winning the game: the winning score is accomplished by being the first player to reach a predetermined score or by being the player to score the most points within a given period of time.

KINDLY REMIND

