

# Jacuzzi J-445

## Specifications

<b>Seating Capacity</b> .....	6 Adults
<b>Dimensions</b> .....	84" x 84" x 37.5" Front/43.5" Back, (213.5 cm x 213.5 cm x 95.25 cm Front/110.5 cm Back); <b>For Complete Dimensions, See page 83</b>
<b>Perimeter</b> .....	336 in. (853.4 cm)
<b>Dry Weight</b> .....	855 lbs (388 kg)
<b>Filled Weight (Average Fill)</b> .....	4,024 lbs (1,825 kg)
<b>Water Capacity (Average Fill)</b> .....	380 US gallons (1,438 Liters)
<b>Filled Weight (Spa Volume)</b> .....	4,525 lbs (2,052 kg)
<b>Water Capacity (Spa Volume)</b> .....	440 US gallons (1,666 Liters)
<b>Electronic Controls</b> .....	ProTouch™ 2 LCD control panel, user interface displays temperature, time, cycles and fingertip jet control. Offers customizing of pre-programmed filtration cycles, heating modes and water temperature setting.
<b>Pump 1</b> .....	North America (60 Hz): 1-Speed, 5.1 HP break, 2.5 HP continuous, 56 Frame <b>Export (50 Hz): 1-Speed, 2.0 HP continuous</b>
<b>Pump 2</b> .....	North America (60 Hz): 1-Speed, 5.1 HP break, 2.5 HP continuous, 56 Frame <b>Export (50 Hz): 1-Speed, 2.0 HP continuous</b>
<b>Circulation Pump</b> .....	Yes, 8-Hour
<b>Total PowerPro® Jets</b> .....	45
<b>Seat A Jets</b> .....	2 PowerPro® NX2, 3 PowerPro® MX
<b>Seat B Jets</b> .....	2 PowerPro® RX
<b>Seat C Jets</b> .....	2 PowerPro® FX, 6 PowerPro® RX, 2 PowerPro® FX Rotational
<b>Seat D Jets</b> .....	1 PowerPro® FX Large Rotational
<b>Seat E Jets</b> .....	2 PowerPro® NX2, 4 PowerPro® FX Rotational, 6 PowerPro® FX
<b>Seat F Jets</b> .....	4 PowerPro® FX, 1 PowerPro® FX Large Rotational, 2 PowerPro® FX Rotational
<b>Footwell (G)</b> .....	8 PowerPro® FX Small
<b>Massage Selectors</b> .....	2
<b>Air Controls</b> .....	4, On/Off rocker switch <sup>2</sup> air controller
<b>Water Management System</b> .....	One ProClarity® 40 ft <sup>2</sup> filter cartridge and 1 ProClarity® depth load filter on 8-hour circulation pump; one ProCatch® bag with ProClear® 60 ft filter; Floating Weir; Factory installed CLEARARRAY Active Oxygen™ Clean Water System <b>Export (50 Hz): Factory installed CLEARARRAY Active Oxygen™ Clean Water System</b>
<b>LED Lighting</b> .....	One waterfall with light, one underwater light, cupholders, massage selector lights, indicator light, and exterior lights
<b>ProFinish™ Cabinet Colors</b> .....	Modern Hardwood, Brushed Gray, and Smoked Ebony
<b>Acrylic Colors</b> .....	Platinum, Silver Pearl, Monaco, Midnight, Porcelain
<b>Headrests</b> .....	4
<b>Waterfall</b> .....	One with Independent flow rate (on or off) adjustment; powered by 8-hour circulation pump
<b>Electrical Requirements:</b> .....	North America (60 Hz): 240 VAC@40A, 50A, or 60A <b>Export (50 Hz): 230-240 VAC@ 1x32A, 1x20A/1x16A, or 1x16A/1x16A/1x16A or suitably rated circuit breaker to comply with local electrical codes. Certain countries may require dual power inputs; two GFCI RCD breakers are required for this configuration.</b>
<b>Warranty*</b> .....	North America (60 Hz): 10 Years Shell, 7 Years Shell Surface, 5 Years Plumbing Component Leaks, 5 Years Equipment and Controls, 5 Years Cabinet, 2 Years Jets, 2 Years Lights, 1 Year Stereo <b>Export (50 Hz): 10 Years Shell, 7 Years Shell Surface, 5 Years Plumbing Component Leaks, 5 Years Equipment and Controls, 5 Years Cabinet, 2 Years Jets, 2 Years Lights, 2 Years Stereo</b>
<b>Special Features (Optional)</b> .....	SmartTub™ Module
<b>Audio System (Optional)</b> .....	BLUEWAVE® Spa Stereo System with Bluetooth capability and Aux 3.5 mm headphone jack port; 4 premium speakers, a powered subwoofer

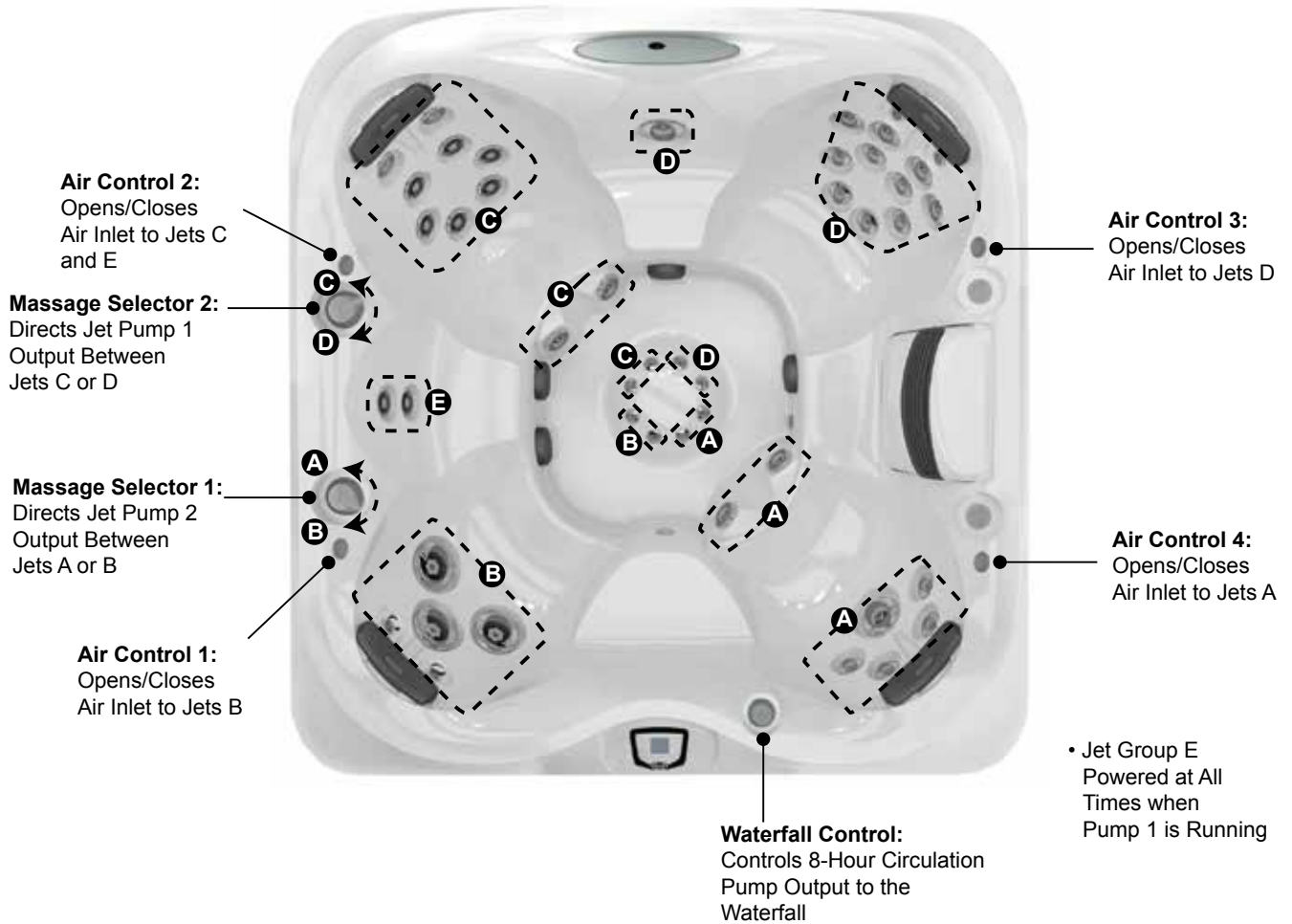


\*(See Warranty Document for Specific Details)

Dimensions/Specifications are Subject to Change Without Notice

# Jacuzzi J-445

## Operation/Seat Depths



### 45 Total Jets

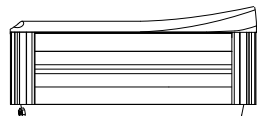


Spa Operation Subject to Change without Notice

## Seat Depths

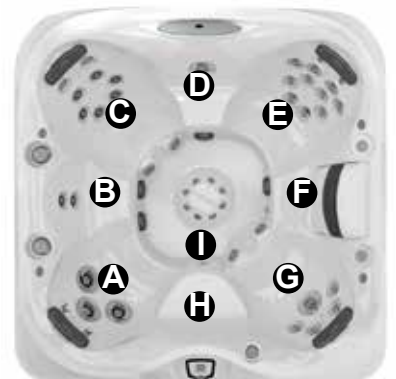
- A = 25.50" (64.77 cm)**
- B = 21.00" (53.34 cm)**
- C = 30.00" (76.20 cm)**
- D = 23.00" (58.42 cm)**
- E = 29.00" (73.66 cm)**
- F = 23.00" (58.42 cm)**

- G = 25.50" (64.77 cm)**
- H = 18.00" (45.72 cm)**
- I = 34.00" (86.36 cm)**



Front Back

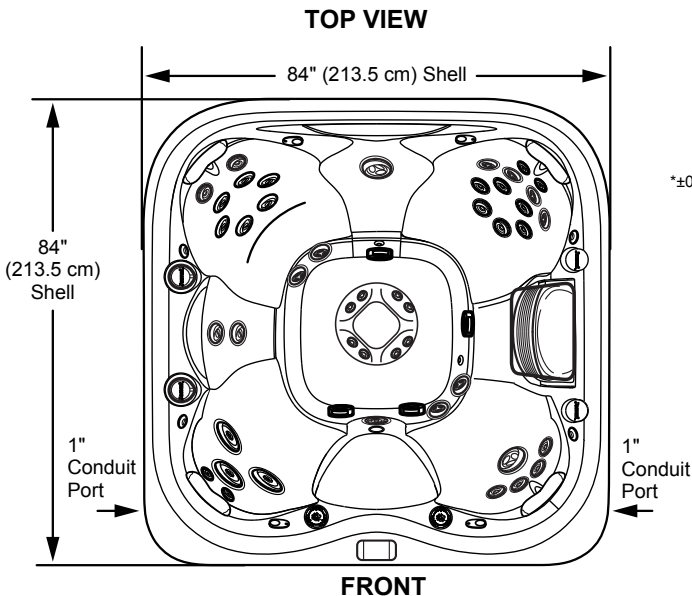
Listed dimensions represent distance from top of acrylic to lowest point in seat. Tolerance  $\pm 0.5"$  (1.27 cm).



Dimensions/Specifications are Subject to Change Without Notice

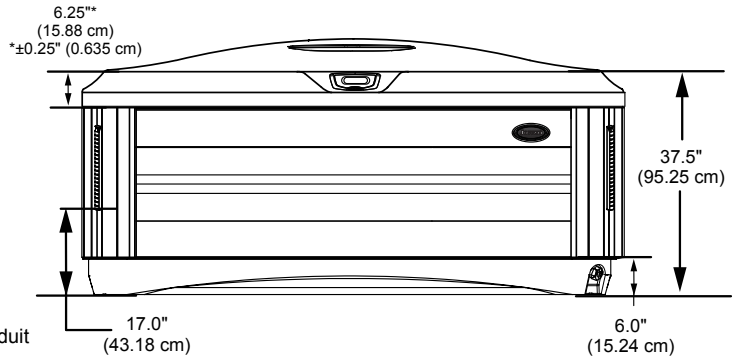
# Jacuzzi J-445

## Dimensions

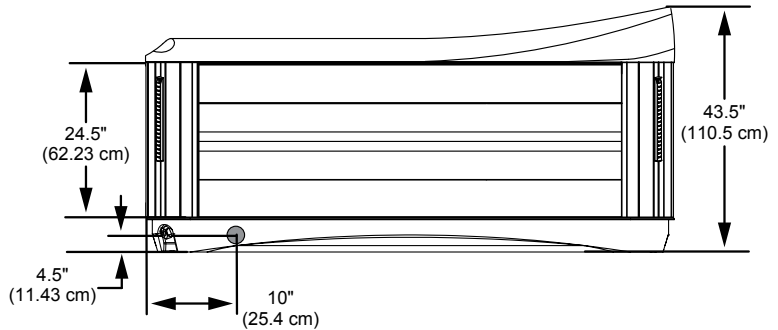


Equipment Bay/Pump Access  
CLEARRAY, Optional BLUEWAVE®,  
and Optional SmartTub System  
located behind the cabinet

**FRONT VIEW**  
Tolerance:  $\pm 0.5"$  (1.27 cm)



**RIGHT SIDE VIEW**  
Tolerance:  $\pm 0.5"$  (1.27 cm)

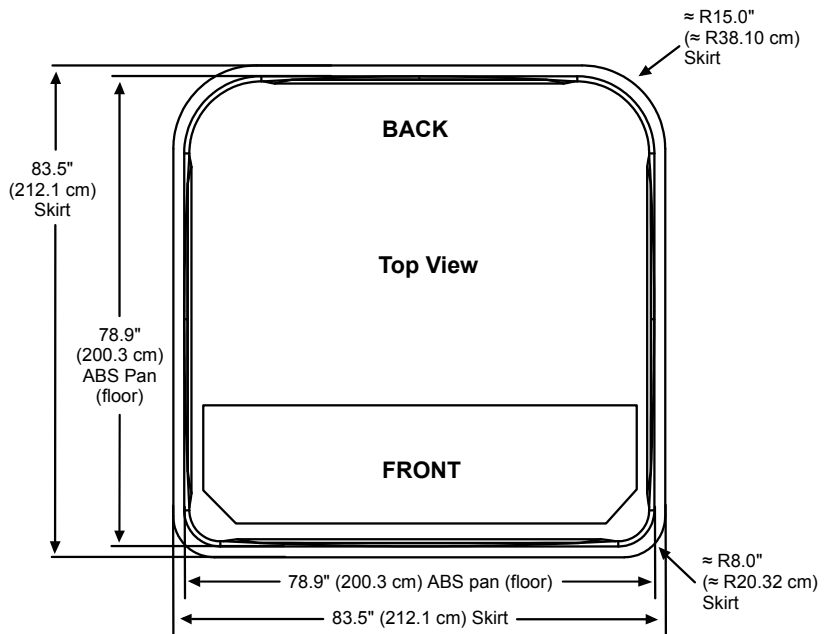


### Important Panel Details

**NOTE:** Over time the panel(s) may bow, this is considered normal. The panels will straighten out when reinstalled into the mounting channel. Place one end of the panel into the channel first then flatten the panel and insert the other end.



**IMPORTANT! Always measure each hot tub for exact dimensions BEFORE designing its foundational support and/or decking.**



Dimensions/specifications subject to change without notice. Tolerance  $\pm 0.5"$  (1.27 cm)